

# GN 607.1 | Indexing plungers

Rest position, steel



- 1
- 2
- 3
- 4
- 5
- 6
- 7
- 8**
- 9
- 10
- 11
- 12
- 13
- 14
- 15
- 16
- 17
- 18

## 1 THREADED BODY

Black-oxide steel.

## 2 PLUNGER

Black-oxide steel with hardened end.  
Suggested tolerance for matching hole = H7.

## 3 LOCKING NUT

Black-oxide steel.

## 4 KNOB

High-resilience polyamide based (PA) technopolymer, black colour, matte finish.

## 5 STANDARD EXECUTIONS

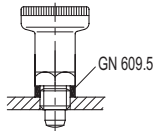
- **GN 607.1-A-ST**: with knob, without locking nut.
- **GN 607.1-AK-ST**: with knob, with locking nut.

## 6 FEATURES AND APPLICATIONS

GN 607.1 indexing plungers with rest position have compact dimensions and are used on thin sheets and where the plunger needs to be locked in the retracted position.

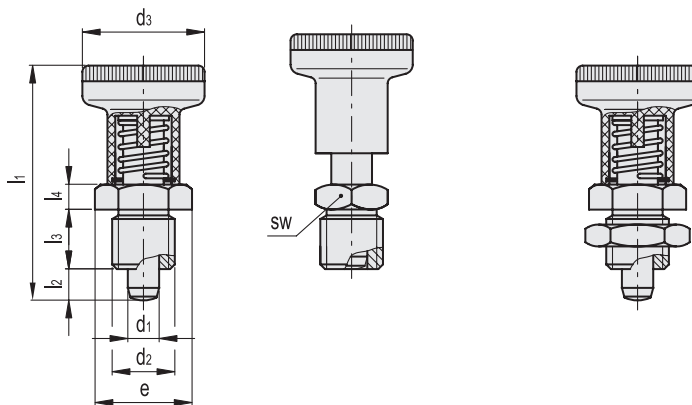
## 7 ACCESSORIES ON REQUEST

AISI 303 stainless steel distance bushings GN 609.5 (see page 906) for the assembly of the indexing plunger on thin sheets.



GN 607.1-A-ST

GN 607.1-AK-ST



Code	Description	Dimensions										Spring preload [N]	Spring max load [N]	Axial holding force [N]	⚖️
		d1 Plunger -0.02-0.05 Hole H7	d2	d3	e	l1	l2	l3-0.15	l4	sw					
GN.35061	GN 607.1-6-A-ST	6	M12x1.5	25	19.6	45	6	10	5	17	7	18	400	34	
GN.35071	GN 607.1-8-A-ST	8	M16x1.5	31	21.9	54	8	12	6	19	14	24	500	59	
GN.35062	GN 607.1-6-AK-ST	6	M12x1.5	25	19.6	45	6	10	5	17	7	18	400	42	
GN.35072	GN 607.1-8-AK-ST	8	M16x1.5	31	21.9	54	8	12	6	19	14	24	500	75	

Indexing and positioning elements